

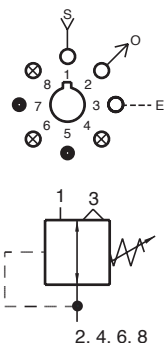


# REGULATORS, FILTERS & INDICATORS



## Pressure Regulator

R-701 is a self-relieving, adjustable pressure regulator with multiple output ports. Pressure can be piped directly from ports 2, 4, 6 and 8. Eliminates need for additional fittings. Unused output ports should be plugged.



- Multiple porting speeds piping
- Knurled knob for fast, accurate adjustments - no tools needed

**Flow:** 12 scfm @ 100 psig; 340 l/min @ 6.9 bars

**Temperature:** 32 to 180° F

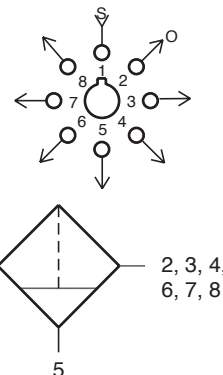
**Working Pressure:** 0 to 150 psig; 0 to 10.3 bars

Part No.	Description
<a href="#">R-701</a>	Pressure Regulator



## Filter

R-801 is a 25 micron filter with multiple outlets at ports 2, 3, 4, 6, 7 and 8 to minimize need for fittings. Port 5 is a drain and should be plugged; however, when the valve is mounted vertically port 5 can be tubed to a drain. Unused ports should be plugged.



- Multiple porting speeds piping
- Clean out port for easy maintenance
- Protects system - assures proper functioning
- Replaceable filter element (Part No. [R-801-14](#))

**Flow:** 12 scfm @ 100 psig; 339 l/min @ 6.9 bars

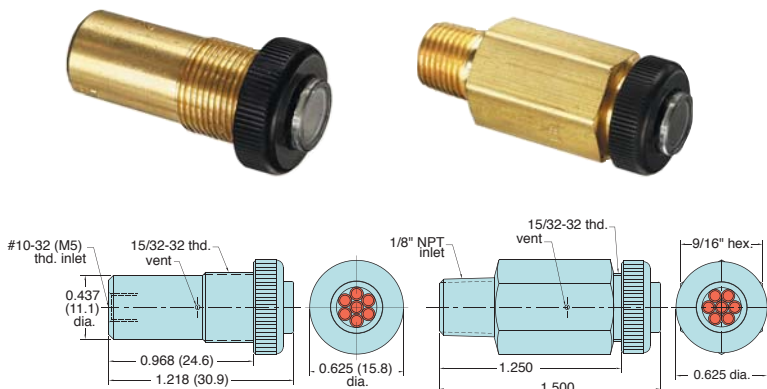
**Temperature:** 32 to 180° F

**Working Pressure:** 0 to 150 psig; 0 to 10.3 bars

Part No.	Description
<a href="#">R-801</a>	Filter

## Multi-Pin Air Indicator

Plunger type (when extended 7-pin color display signals "on")



**Medium:** Air Only

**Input Pressure:** 150 psig/1 to 10 bar max.

**Minimum Actuation Pressure:** 15 psig (approx)

**Response:** Approx. 10 milliseconds @ 50 psig

**Filtration:** 40 micron recommended

**Mounting:** IND-3: Panel mount in hole. #15/32-32 nut and lockwasher provided; IND-3P: Direct mount into 1/8" NPT hole

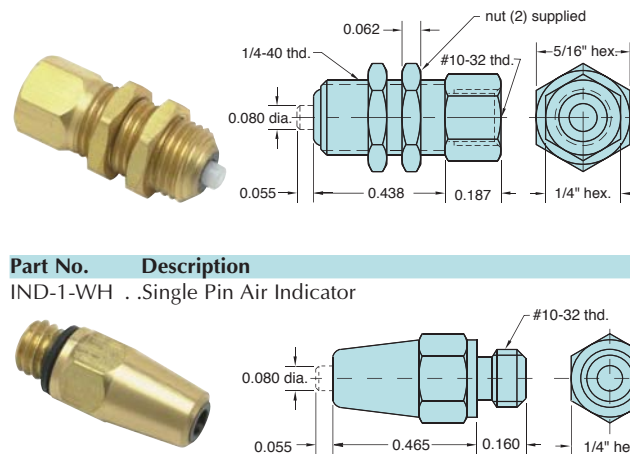
**Maximum Panel Thickness:** 3/16" (4.8)

Part No.	Description
<a href="#">IND-3-(color)</a>	Multi-Pin Air Indicator, #10-32
<a href="#">IND-3-M5-(color)</a>	Multi-Pin Air Indicator, M5
<a href="#">IND-3P-(color)</a>	Multi-Pin Air Indicator, 1/8" NPT

GN-Green, WH-White, RD-Red, YL-Yellow

## Single Pin Air Indicator

Plunger type (when extended white pin display signals "on")



Part No.	Description
<a href="#">IND-1-WH</a>	Single Pin Air Indicator

Part No.	Description
<a href="#">IND-1M-WH</a>	Single Pin Air Indicator

**Medium:** Air Only

**Input Pressure:** 150 psig/1 to 10 bar max.

**Minimum Actuation Pressure:** 12 psig (approx)

**Response:** Approx. 10 milliseconds @ 50 psig

**Filtration:** 40 micron recommended

**Mounting:** [IND-1-WH](#): Panel mount 1/4 dia. hole. 1/4-40 thd. nuts provided. [IND-1M-WH](#): Direct mount into 1/8" NPT hole

**Maximum Panel Thickness:** 3/16" (4.8)